

PAD2 CART SERIES LOWERED



Conforme ai requisiti art. 70 allegato V



The low-slung PAD 2 cart represents the cutting edge of the carts in the production by Bigà Italia. This cart is **built to size** upon customer's request, according to the real needs of load and size. Tyre dimensions, side rails, caps, are from time to time designed and built in relation to the pavement, the site, and the stress of use of the cart itself, creating a product that will last over time.

The capacity varies from 100 kg. to 2,000 kg ensuring always a perfect rolling.

It is produced with load floor measures 160 cm and 240 cm and a width of 75 cm. Suitable for the transport of two or three rollers. Max measures. L 225 cm and 305 cm.

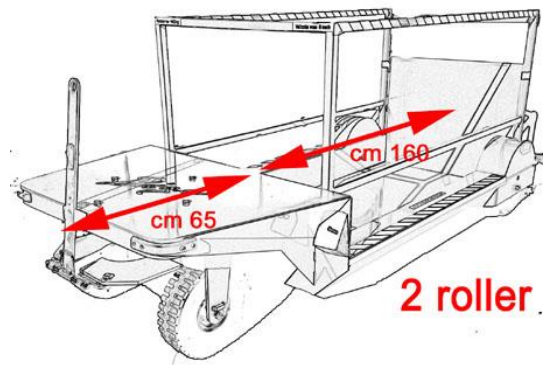
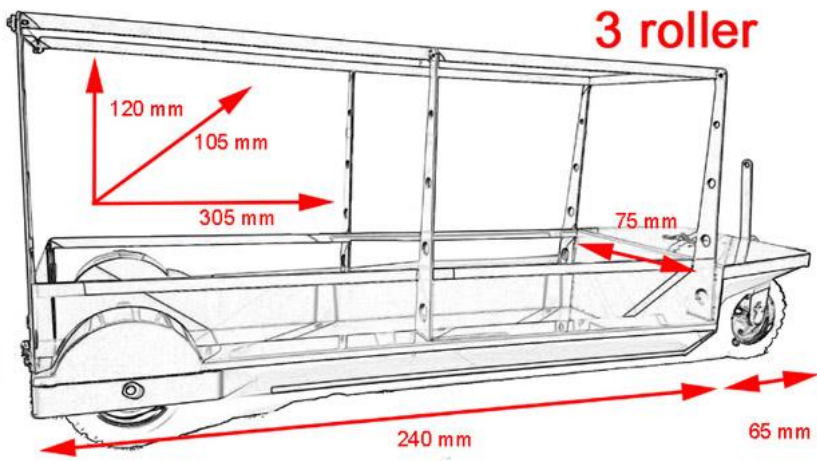
The cart PAD 2 can have rear or side load with the latter solution, it can fit a tow bar and tow a second cart.

Strengths of PAD2 cart

A) Loading floor with minimum height 5 cm for easy loading of any cart weighing 500 kg, with climb ramp less than 5%. Produced both with rear and side load.

B) Front wheels mounted on the fifth wheel, which allows the carriage to turn with bending angles close to 90 degrees, keeping a path almost integral with the wheels of the hauler; (compared to a rotating wheel reduces the cutting of the curve of 40%).

C) The tilt platform does not need to be lowered or raised from the ground with hands, a lever is used that allows the operator not to have to bend his back and touch the floor with his hands so remaining in standing position.



Bigà Italia Via G. Galilei trav. I° n° 12 25010 San Zeno Naviglio (BS) Italia
Tel. +39 030.2161048 fax +39 030.2168077

www.bigaitalia.it www.bigaitalia.com email.info@bigaitalia.it



Bigà Italia
Ecology Green Company

PRODUZIONE INTERAMENTE ITALIANA

www.bigaitalia.it info@bigaitalia.it tel +3902161048 25010 San Zeno Naviglio Brescia IT