

# Bigà Truk

Small electric truck for indoor use, 800 kg. Towing 2500 kg



Truck internal use with loading platform 140 cm x 90 cm total size 295 x 90. Capacity 800 kg, towing up to 2,500 kg. Super elastic solid plus tires diameter 30. Batteries 140A. External charger. 1100W electric gear motor with engine brake. Autonomy 6/8 hours.



**Electric tractor Bigà TRUK 100% made in Italy**

## ELECTRICAL TRACTOR BIGA' TRUK

### TECHNICAL DATA SHEET

**Dimensions:** Length mm 2950 Width mm 900 – loading platform Length mm 1400 Width mm 900 Height 2000 mm Minimum height from the ground mm 54.

**Weights:** Kg. 300/372 plus driver.

**Gearmotor:** 1100 W – rpm 120 24V permanent magnet motor With switchable electric brake with lever.

**Control:** electronic control unit 24 W Mosfet technology –140/200 A.

**Direction of travel:** forward and reverse lever

**Voltage and batteries:** N. 2/4 batteries 12V 140 A C20 sealed gel.

External charger 24/12 V power. 24V – 12 amps – electronic.

**Brakes:** Drum front. Emergency stop electric brake.

Engine brake powered with control unit parameters.

**Tires:** Covers: 4.00-4 super elastic solid rubber.

**Speed and tow:** max 6/7 Km/h +/-10% - towing 2500 kg on flat surface towing 250 Kg on slope 12.5%.

**Structure:** Tubular and Fe 37 metal sheet.

**Paint:** Epoxy powder for outdoor.

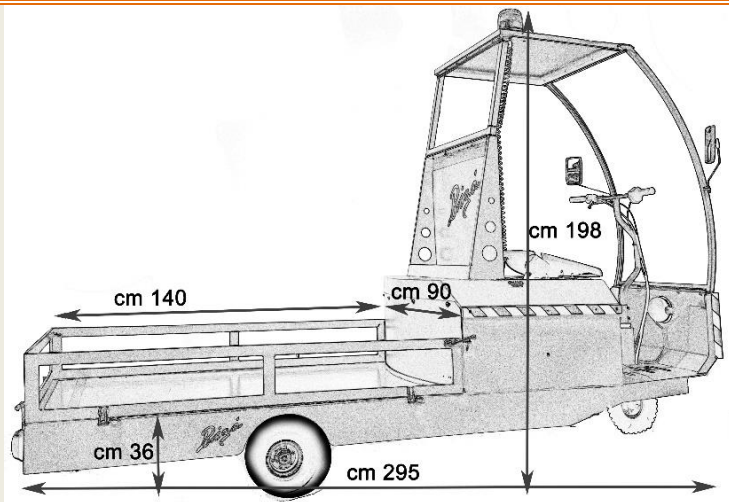
**Devices and lighting:** lighting and signalling main headlight and taillights. R Buzzer

Horn – Flashing light E 24 xenon – recharging indicator – emergency button disconnecting battery – Turbo lever for high performance. Possibility of double battery pack 280 A.

**Spare parts and tools:** original spare parts and tools for maintenance and repair are provided on order by Bigà Italia srl.

**Noise Values:** max. values  $L_{pAm} = 77.6$  –  $LWA = 85.6$  – operator position  $Leq\ db(A) = 77.6$

**Vibrational values:**  $av_{max(i)} = 0.47\ m/s^2$  (maximum value for the operator sitting in the driver seat).



**Bigà Italia srl**

via G. Galilei trav. I° n° 12

25010 San Zeno Naviglio (BS) Italia

Tel. +39 030.2161048 fax +39 030.2168077

info@bigaitalia.it

[www.bigaitalia.it](http://www.bigaitalia.it)

[www.bigaitalia.com](http://www.bigaitalia.com)



**Bigà Italia**

**Ecology Green Company**

PRODUZIONE INTERAMENTE ITALIANA

www.bigaitalia.it info@bigaitalia.it tel +3902161048 25010 San Zeno Naviglio Brescia IT